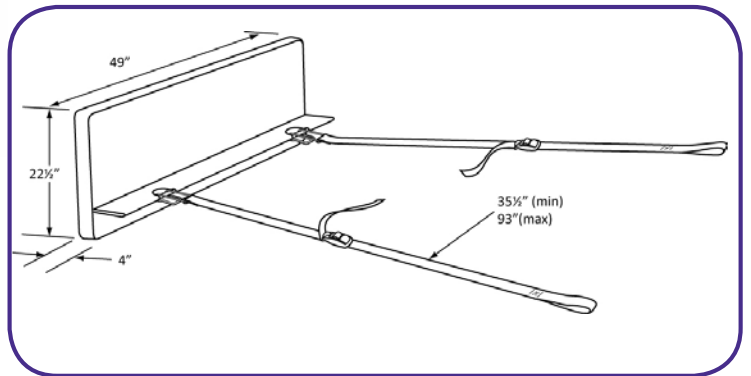


# Leglifter

The inflatable Leglifter raises, lifts and transfers legs into bed.

Fits on profiling beds



Product code: MPCA140200

## Easy to use

- Fits most beds including profiling beds
- Straight forward to fit or remove, and requires no permanent installation
- Attaches to the bed underneath the mattress
- One airline connects the Leglifter to the Airflo Compressor and inflation is activated by pushing one button

## Simple to maintain

- For a routine clean, sponge clean with a detergent solution and dry thoroughly.
- The covers can be machine washed
- Spare covers can be purchased
- The Riverseal® material is designed to an exceptionally high standard, with extraordinary durability, strength and performance in the toughest environments.

## Mangar Health

## Safe to use

- Raises, lifts and transfers legs into the bed
- Leg break on profiling beds can still be used once leglifter is fitted.

## Improves wellbeing

- Minimises moving and handling so reducing the risk of musculoskeletal injury for the care giver
- Fits discreetly against the side of the bed
- No permanent installation required

## Technical Specifications

Max user weight	294lbs
Min height	Flat
Total length	48 ¾"
Width	22"
Total Product weight	3 ¼ lbs
Airflo Compressor	12
Lifting performance per charge	16 lifts