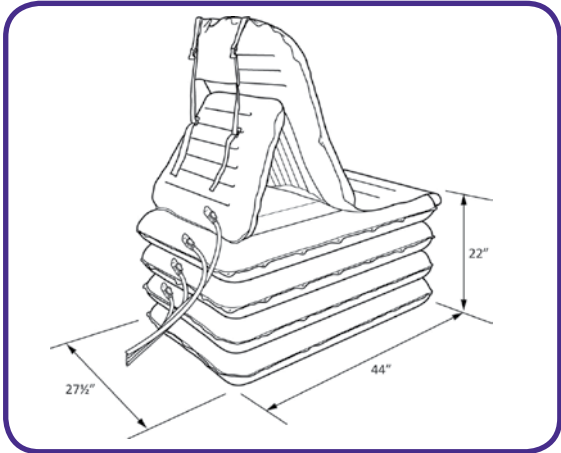


# Camel Lifting Cushion

The Camel Lifting Chair will both sit up and lift a fallen person.

Backrest gives additional support during a lift



Product code: MPCA060200

## Easy to use

- Lifting cushion is inflated using an Airflo Compressor using a simple hand control
- Simple to use, requiring very little training
- Can be used independently or assisted
- Suitable for indoor and outdoor use

## Simple to maintain

- Can be cleaned using a proprietary non-abrasive mild liquid cleaner.
- Easy to deflate, fold away and store – carry bag provided
- The Riverseal® material is designed to an exceptionally high standard, with extraordinary durability, strength and performance in the toughest environments.

## Mangar Health

## Safe lifting

- Lifts the frailest person up to 700 lbs from the floor
- Backrest give additional support and is particularly suitable for plus size or bariatric patients
- Stable and supportive

## Improves wellbeing

- Provides a safe, dignified lift for a fallen person
- Individuals with a cognitive impairment are less distressed when lifted with a Camel
- Reduces the risk of musculoskeletal injury for the care giver
- Backrest gives additional support and is particularly suitable for plus size or bariatric patients

## Technical Specifications

Max user weight	700 lbs
Max height	22"
Min height	Flat
Seat depth	18 1/2"
Total length	44"
Width	27 1/2"
Total product weight	14 lbs
Back/headrest length	32"
Airflo Compressor	24
Lifting performance per charge	4 lifts

