



Wraparound Half Trays

- 3/8" thick 7-ply birch with woodgrain melamine laminate top layer, or 3/8" thick clear polycarbonate
- User-friendly shape has larger cutout for robust users

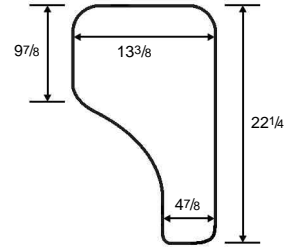


Woodgrain Wraparound Shape

- With Adjustable Height Bracket, flip-away
 Right Side41365
 Left Side41364

Clear Wraparound Shape

- With Adjustable Height Bracket, flip-away
 Right Side30331
 Left Side30330



Flip-Down Half Trays

- Same as Wraparound Trays above, with the addition of a *double-hinge* that allows the Wraparound Tray to *flip completely over*, down and out of the way
- Tray cutout fits around wheel

Woodgrain Flip-Down Half Tray

- With Adjustable Height Bracket, flip-down
 Right Side30386
 Left Side30385

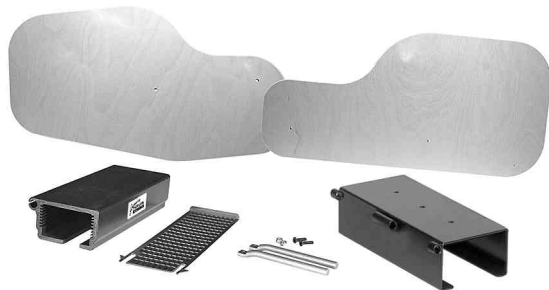
Clear Flip-Down Half Tray

- With Adjustable Height Bracket, flip-down
 Right Side30388
 Left Side30387



Reversible Woodgrain Half Tray Kits

- 3/8" thick 7-ply birch with woodgrain laminate top



Designed to be assembled by the user, each kit comes complete with one half tray with pre-drilled bracket mounting holes, bracket mounting hardware, and one fixed or flip-away bracket.

Woodgrain, Standard Shape

- w/Adjustable Height Bracket
 Flip-away41328
 Fixed41326
 w/Invacare®Brkt (Flip) ..30578
 w/Permobil Brkt (Flip) ..30638

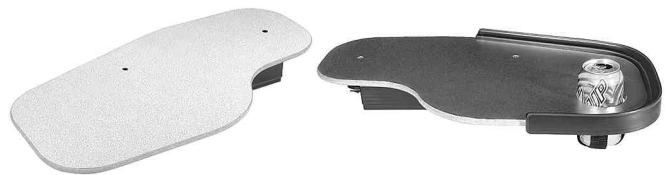
Woodgrain, Trimline Shape

- w/Adjustable Height Bracket
 Flip-away41309
 Fixed41302
 w/Invacare®Brkt (Flip) ..30577
 w/Permobil Brkt (Flip) ..30637



Grey Or Black Half Trays

- 3/8" thick melamine impregnated fiberboard
- Very durable melamine laminate surface



Grey, Standard Shape

- With Adjustable Height Bracket, flip-away
 Right Side31347
 Left Side31346

Black w/Cupholder & Rim, Standard Shape

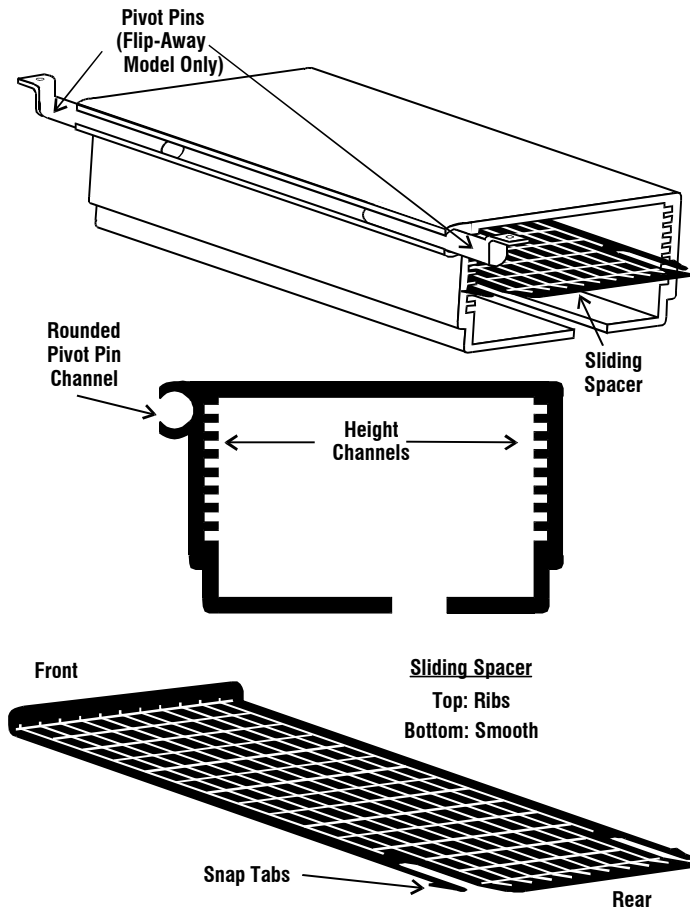
- With Adjustable Height Bracket, flip-away
 Right Side31345R
 Left Side31345L

- With Adjustable Height Bracket, fixed
 Right Side31341R
 Left Side31341L

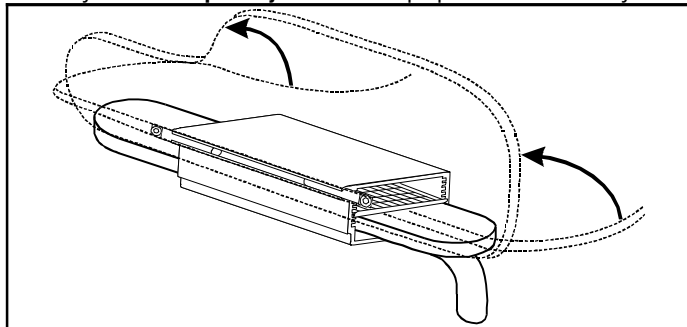
ADJUSTABLE HEIGHT HALF TRAYS

Adjustable Height Flip-Away Model
Adjustable Height Fixed Model
Replacement Sliding Spacer (30301)

PARTS DESCRIPTION



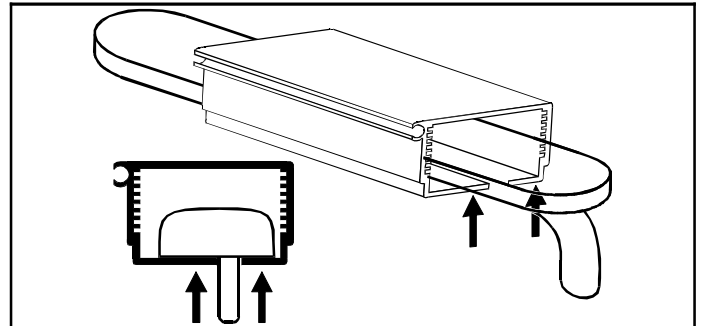
A tray with the **Flip-Away Model** will flip up and out of the way.



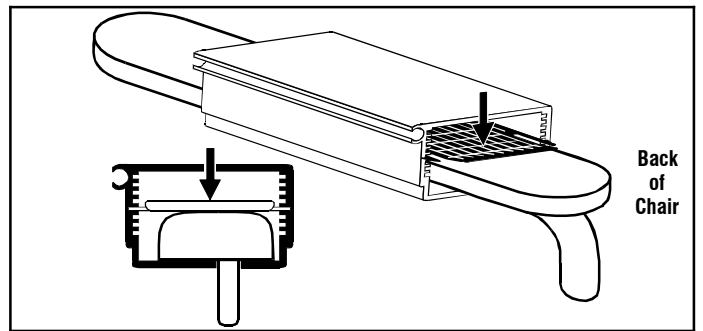
19747 Wolf Road • Mokena, IL 60448
800-843-7234 • Fax: 888-479-1515
www.Therafin.com • info@Therafin.com

ADJUSTING BRACKET HEIGHT TO FIT ARMPAD THICKNESS

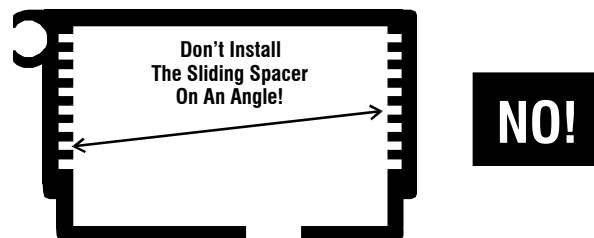
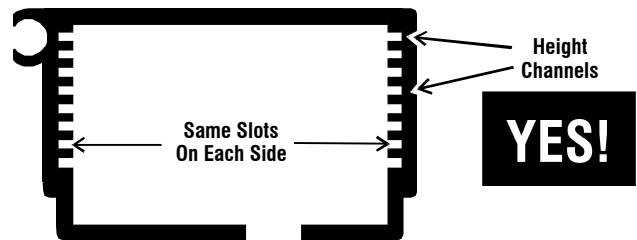
1. Slide tray with bracket over armrest, making sure **Rounded Pivot Pin Channel** is on the **OUTSIDE** of the armrest.
2. Push the bracket up, so the bottom of the bracket touches the under-side of the armrest.



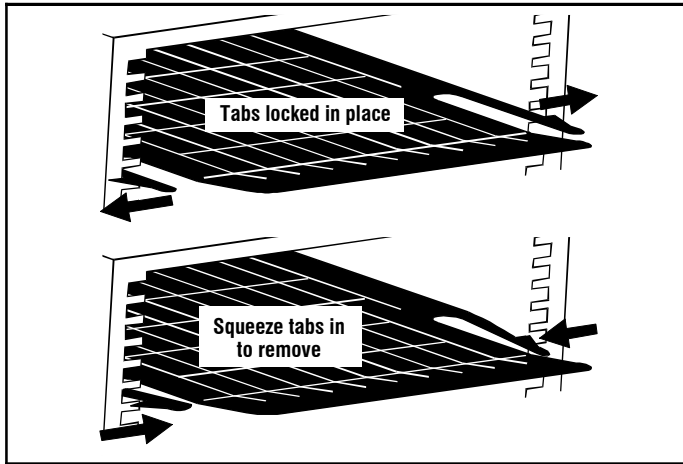
3. To insert the **Sliding Spacer** into the appropriate **Height Channel**, put the **Snap Tabs** in a channel, then push the **Sliding Spacer** completely into the bracket so that the tabs go completely through the bracket and snap into place. This allows the **Sliding Spacer** to be locked in place. **NOTE:** To choose the correct **Height Channel**, choose the channel that will allow the bracket to snugly fit on the armrest pad. The bracket must fit snugly on the armrest to provide a stable mounting foundation.



4. The **Snap Tabs** on either side of the **Sliding Spacer** **MUST BE INSTALLED INTO THE SAME SLOT ON EACH SIDE OF THE BRACKET.**



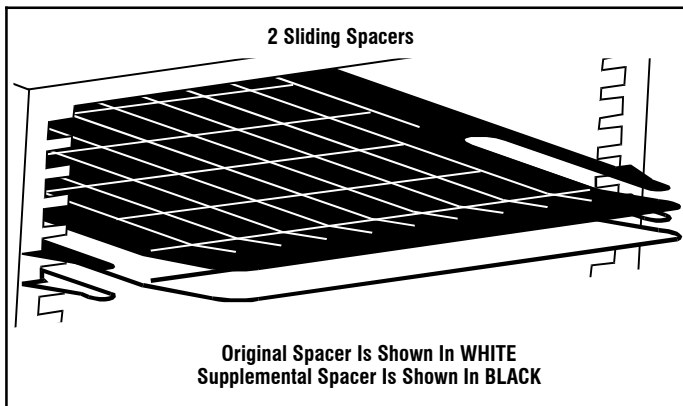
5. To remove the **Sliding Spacer**, gently squeeze both **Snap Tabs** in, and push the Sliding Spacer back through the bracket.



USING TWO SLIDING SPACERS

1. Two **Sliding Spacers** may be used together to provide maximum support in cases of extra weight or extreme pressure exerted on the half tray and bracket.
2. Adjust the bracket height to fit armpad thickness as shown on the reverse of this page. Clearly mark the slot you have chosen, so you don't change the snug fit on the armrest pad. Remove the **ORIGINAL Sliding Spacer**.
3. Install the **SUPPLEMENTAL Sliding Spacer** in the **Height Channel DIRECTLY ABOVE** (toward the tray) the slots you have marked.
4. Reinstall the **ORIGINAL Sliding Spacer** in the **Height Channel** you have marked.

NOTE: If the correct **Height Channel** to fit your armpad is the **VERY TOP SLOT**, you will not need to use two **Sliding Spacers**, as the bracket itself will provide the extra support needed.



If your tray is transparent polycarbonate, please read the following:

Polycarbonate (Clear) Product Cleaning Guidelines

Polycarbonate is virtually unbreakable when it is delivered. You can compromise the physical properties if certain chemicals (see below) have the ability to permeate the structure of the plastic. For this reason, note the guidelines below for cleaning your polycarbonate product:

- ◆ **DO** rinse the product with warm water prior to cleaning
- ◆ **DON'T** use abrasives or high alkaline cleaners
- ◆ **DON'T** leave chemicals on product for long periods, wash immediately
- ◆ **DON'T** apply cleaners in direct sunlight or at elevated temperatures
- ◆ **DON'T** use scrapers, squeegees or razors
- ◆ **DON'T** clean with gasoline
- ◆ **DO** follow the application with a lukewarm water rinse
- ◆ **DO** dry with a clean soft cloth

Recommended Compatible Cleaners and Detergents:

- ◆ Formula 409¹ ◆ Windex with Ammonia D³
- ◆ Joy² ◆ Palmolive⁴

Polycarbonate is **NOT** resistant to:

- ◆ Acetaldehyde, Acetic acid (conc.), Acetone, Acrylonitrile, Ammonia, Ammonium fluoride, Ammonium hydroxide, Ammonium sulfide
- ◆ Benzene, Benzoic acid, Benzyl alcohol, Brake fluid, Bromobenzene, Butylic acid
- ◆ Carbon tetrachloride, Carbon disulfide, Carboic acid, Caustic potash solution (5%), Caustic soda solution (5%), Chloroethene, Chlorobenzene, Cutting oils, Cyclo hexanone, Cyclohexene
- ◆ Dimethyl formamide
- ◆ Ethane tetrachloride, Ethylamine, Ethyl ether, Ethylene chlorohydrin
- ◆ Formic acid (conc.), Freon (refrigerant & propellant)
- ◆ Gasoline ◆ Lacquer thinner ◆ Methyl alcohol
- ◆ Nitrobenzene, Nitrocellulose lacquer ◆ Ozone
- ◆ Phenol, Phosphorous hydroxy chloride, Phosphorus trichloride, Propionic acid ◆ Sodium sulfide, Sodium hydroxide, Sodium nitrate
- ◆ Tetrahydronaphthalene, Thiophene, Toluene, Turpentine ◆ Xylene

Polycarbonate is **DISSOLVED** by:

- ◆ Chloroform, Cresol, Dioxane, Ethylene dichloride, Methylene chloride, Pyridine

When cleaning this Polycarbonate product, a water and soap solution should be applied with a clean soft cloth. Dry with a clean soft cloth.

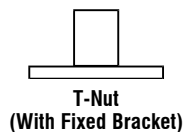
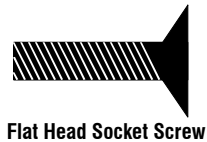
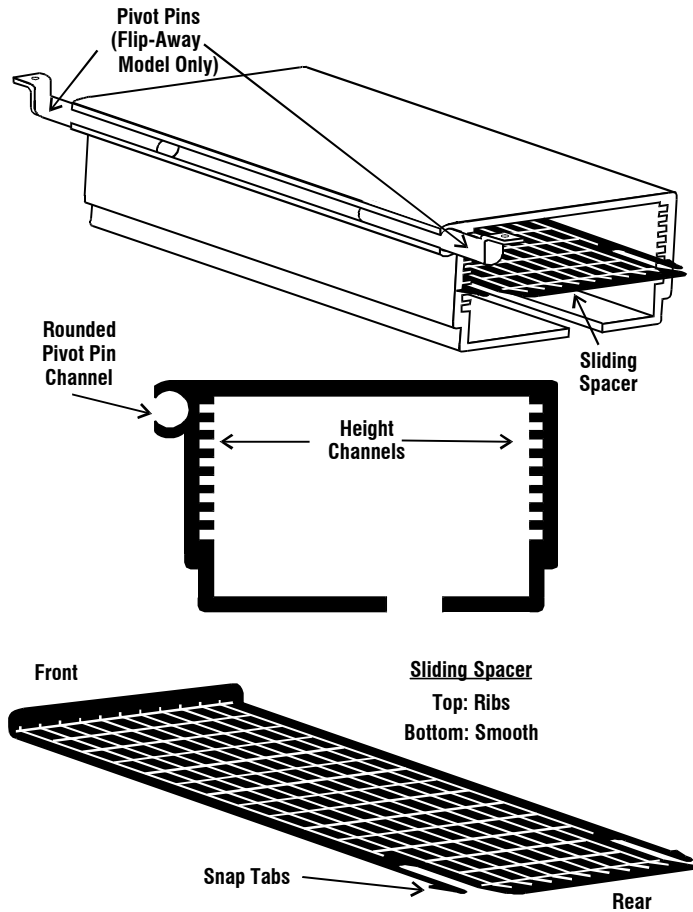
- ◆ Do not use Lock Tite on this Polycarbonate product

® Registered Trademarks of Clorox¹, Proctor & Gamble², Drackett Products³, Colgate Palmolive⁴

REVERSIBLE HALF TRAY WITH ADJUSTABLE HEIGHT CHANNEL BRACKET

Standard Rev. Half Tray w/Flip-Away Bracket	41328
Standard Rev. Half Tray w/Fixed Bracket	41326
Trimline Rev. Half Tray w/Flip-Away Bracket	41309
Trimline Rev. Half Tray w/Fixed Bracket	41302

Parts Description

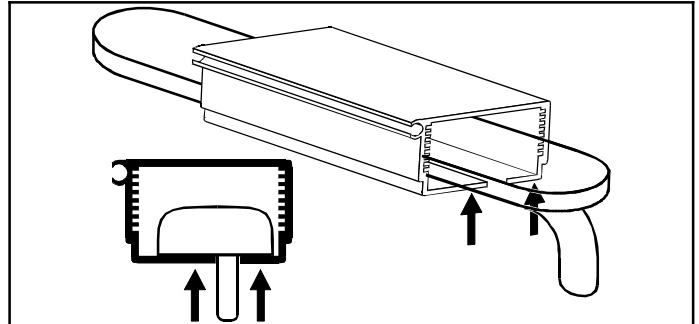


Therafin
Corporation

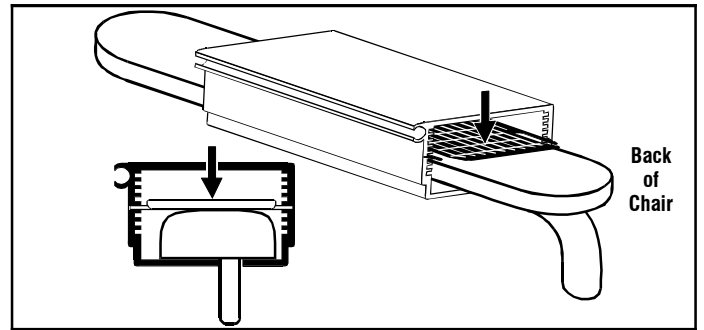
19747 Wolf Road • Mokena, IL 60448
800-843-7234 • Fax: 888-479-1515
www.Therafin.com • info@Therafin.com

ADJUSTING BRACKET HEIGHT TO FIT ARMPAD THICKNESS

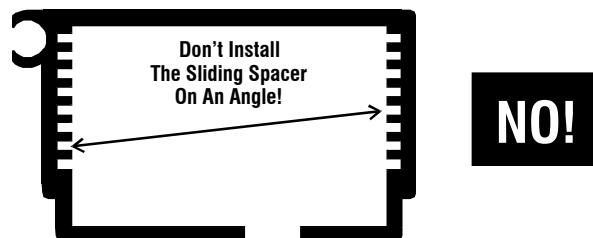
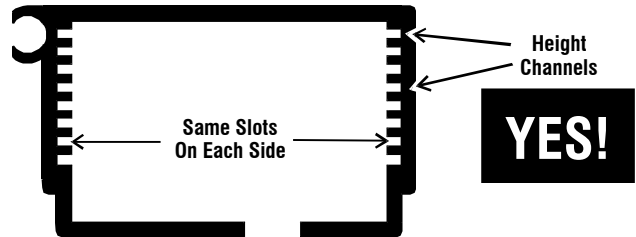
1. Slide bracket over armrest, making sure **Rounded Pivot Pin Channel** is on the OUTSIDE of the armrest.
2. Push the bracket up, so the bottom of the bracket touches the under-side of the armrest.



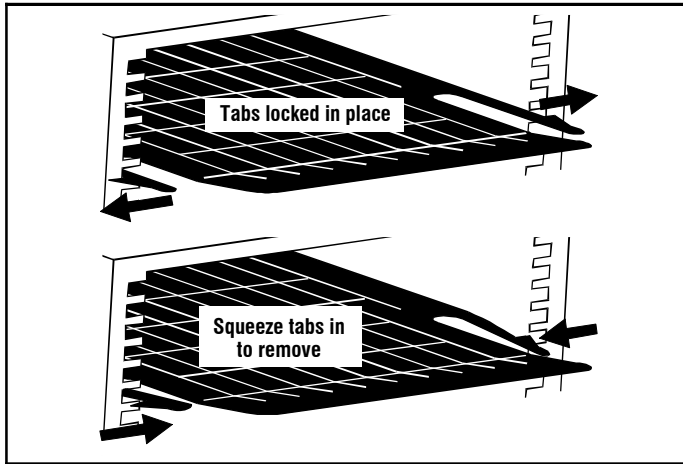
3. To insert the **Sliding Spacer** into the appropriate **Height Channel**, put the Snap Tabs in a channel, then push the **Sliding Spacer** completely into the bracket so that the tabs go completely through the bracket and snap into place. This allows the **Sliding Spacer** to be locked in place. **NOTE:** To choose the correct **Height Channel**, choose the channel that will allow the bracket to snugly fit on the armrest pad. The bracket must fit snugly on the armrest to provide a stable mounting foundation.



4. The **Snap Tabs** on either side of the **Sliding Spacer** **MUST BE INSTALLED INTO THE SAME SLOT ON EACH SIDE OF THE BRACKET.**



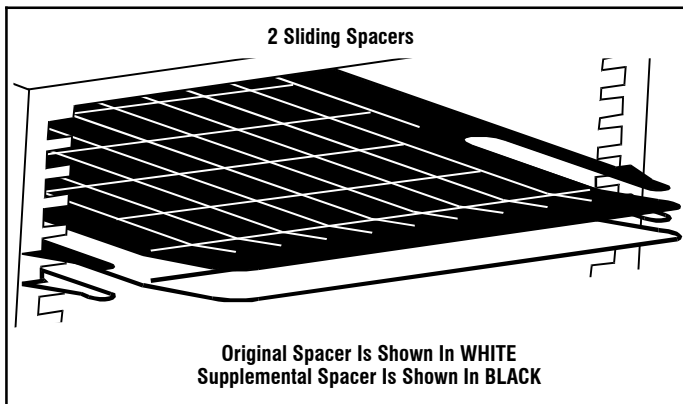
5. To remove the **Sliding Spacer**, gently squeeze both **Snap Tabs** in, and push the Sliding Spacer back through the bracket.



USING TWO SLIDING SPACERS

1. Two **Sliding Spacers** may be used together to provide maximum support in cases of extra weight or extreme pressure exerted on the half tray and bracket.
2. Adjust the bracket height to fit armpad thickness as shown on the reverse of this page. Clearly mark the slot you have chosen, so you don't change the snug fit on the armrest pad. Remove the **ORIGINAL Sliding Spacer**.
3. Install the **SUPPLEMENTAL Sliding Spacer** in the **Height Channel DIRECTLY ABOVE** (toward the tray) the slots you have marked.
4. Reinstall the **ORIGINAL Sliding Spacer** in the **Height Channel** you have marked.

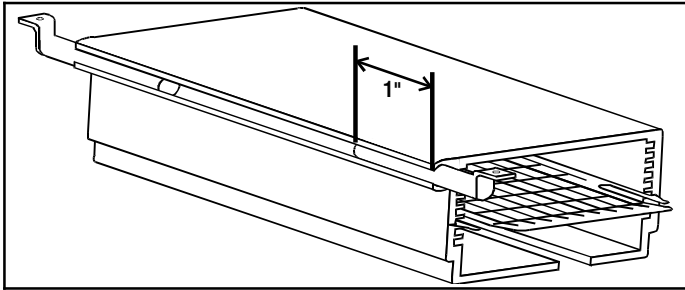
NOTE: If the correct **Height Channel** to fit your armpad is the **VERY TOP SLOT**, you will not need to use two **Sliding Spacers**, as the bracket itself will provide the extra support needed.



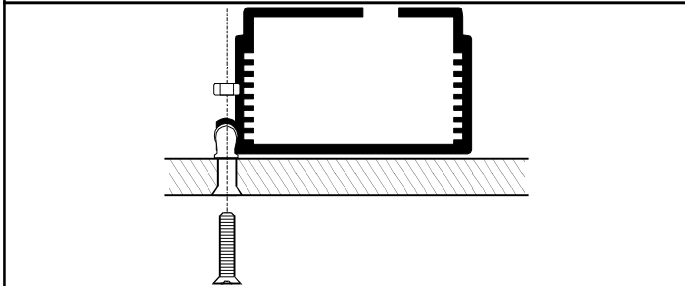
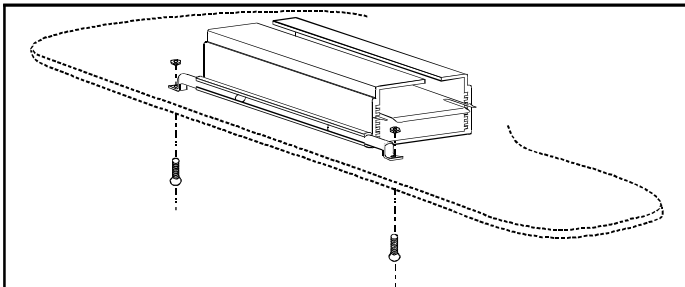
SECURING BRACKET TO TRAY

Flip-Away Bracket Installation:

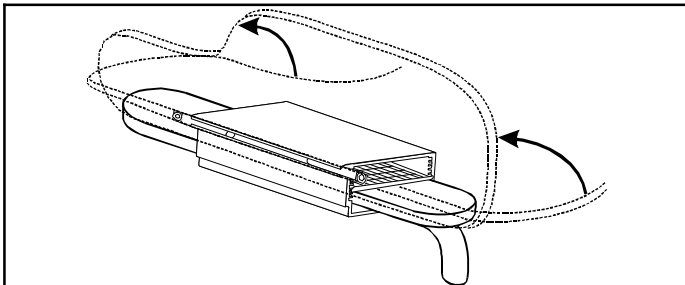
1. Slide one **Pivot Pin 1"** into each end of the **Rounded Pivot Pin Channel**, with the flat side facing up.



2. Determine if the tray will be used on the right or left armrest. Flip tray upside down and place it on a flat working surface. Position bracket on tray, lining up holes in tray with holes in **Pivot Pins**. The **Rounded Pivot Pin Channel** **MUST** be towards the **OUTSIDE** edge of the tray. Attach the bracket to the tray using appropriate hardware. The pre-drilled holes allow you to compress the heads of the screws into the wood. Tighten the **Flat Head Socket Screws** into the **Lock Nuts** so that the heads of the screws are compressed into the wood, flush with the top surface of the tray.

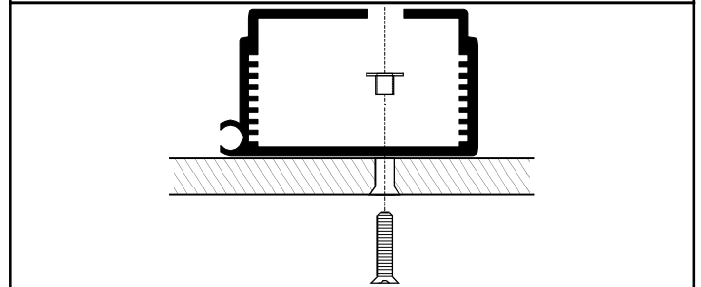
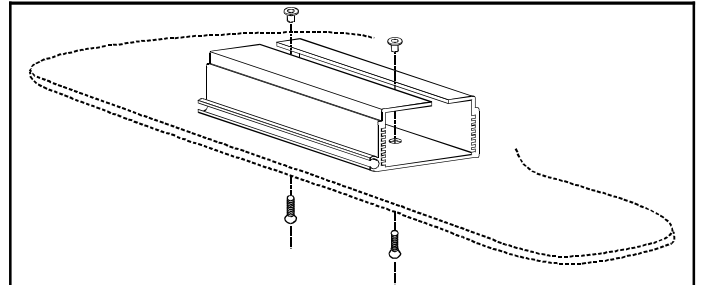


3. Flip tray right-side up and slide onto armrest. The tray will now flip up and out of the way.



Fixed Bracket Installation:

1. Determine if the tray will be used on the right or left armrest. Flip tray upside down and place it on a flat working surface. Position bracket on tray, lining up holes in tray with holes in center of bracket. Attach the bracket to the tray using appropriate hardware. The pre-drilled holes in tray allow you to compress the heads of the screws into the wood. Tighten the **Flat Head Socket Screws** into the **T-Nuts** so that the heads of the screws are compressed into the wood, flush with the top surface of the tray.



2. Flip tray right-side up and slide onto armrest.