

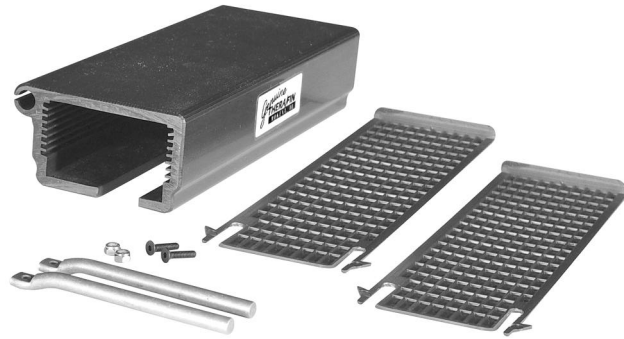


Adjustable Height Channel Bracket

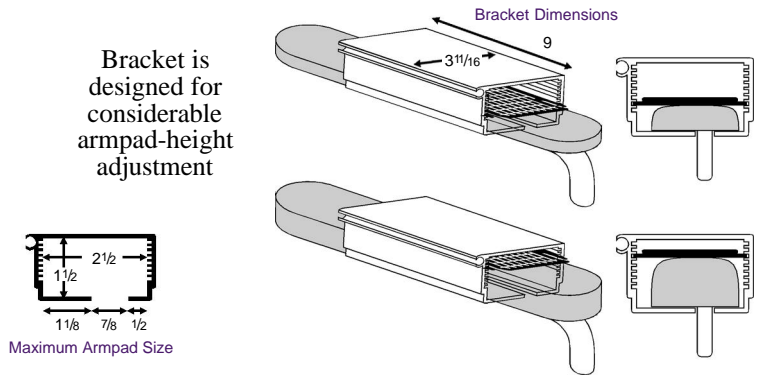
- Flip-away version for half trays, and fixed version for either full or half trays
- Slide the tray on from the front
- Armpad height adjustable
- Two strong fiberglass-reinforced sliders included, use together for maximum support of extra weight or extreme pressure
- Sold individually, attaching hardware for 3/8" tray included

Adjustable Height Channel Bracket

Fixed31897A	\$58.00
Flip-Away31901A	\$72.00
Replacement Sliders (2)30301	\$19.95
Flip 1/4" Hardware Kit32207	\$7.40
Fixed 1/4" Hardware Kit32209	\$7.40



Bracket is designed for considerable armpad-height adjustment

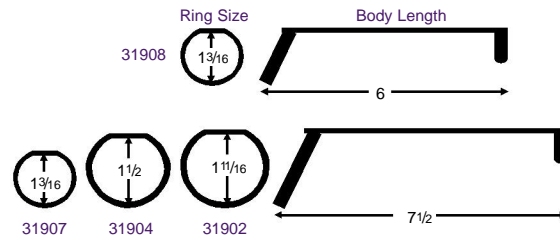
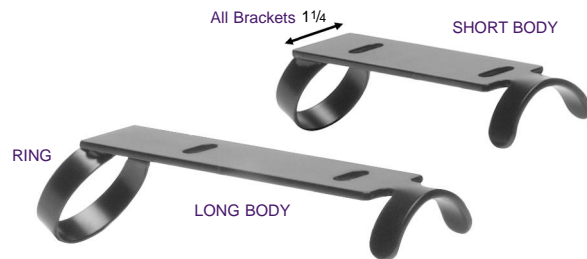


Tube Arm Brackets

- Slide the tray on from the front
- Fits various tube arm sizes
- Sold in pairs, attaching hardware for 3/8" tray included

Tube Arm Brackets

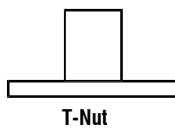
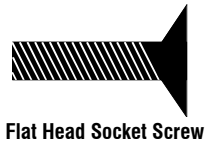
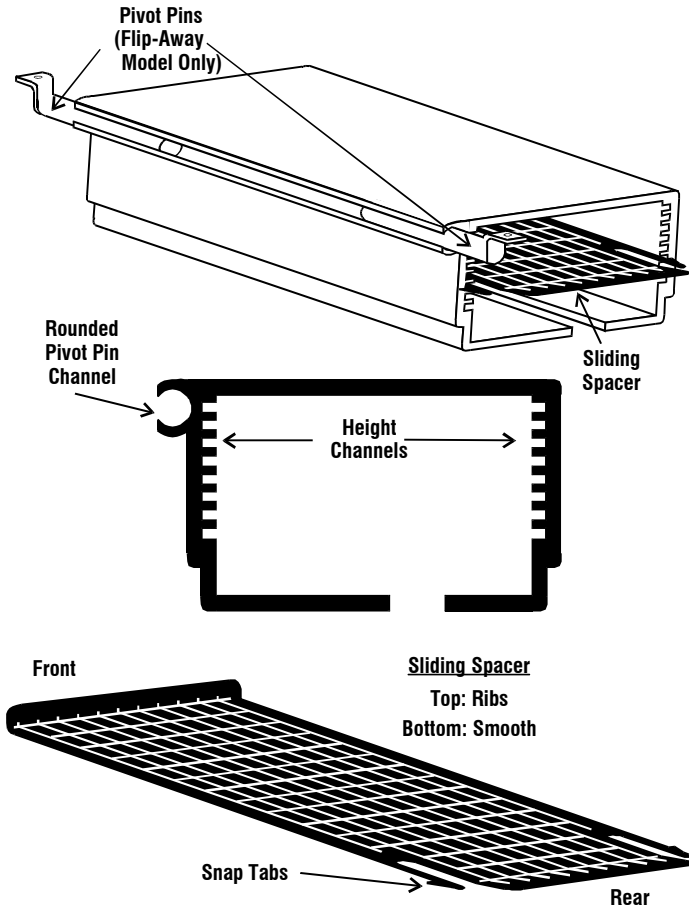
Short 6" Body Length, 13/16" I.D. Ring Size31908	\$85.00
Long 7 1/2" Body Length, 13/16" I.D. Ring Size31907	\$85.00
Long 7 1/2" Body Length, 1 1/2" I.D. Ring Size31904	\$85.00
Long 7 1/2" Body Length, 1 11/16" I.D. Ring Size31902	\$85.00
1/4" Hardware Kit32211	\$7.40



ADJUSTABLE HEIGHT CHANNEL BRACKETS

Adjustable Height Flip-Away Model 31901A
 Adjustable Height Fixed Model 31897A
 Replacement Sliding Spacer, Pair 30301

Parts Description

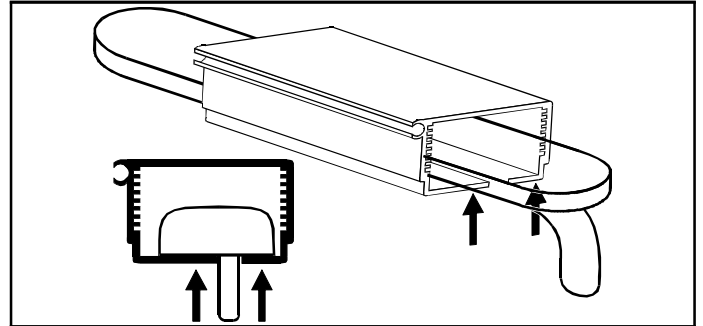


Therafin
 Corporation

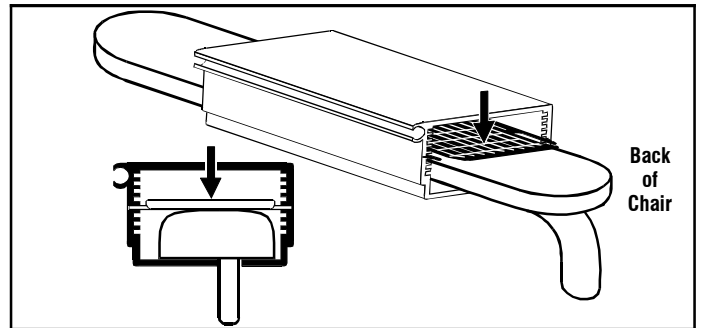
19747 Wolf Road • Mokena, IL 60448
 800-843-7234 • Fax: 888-479-1515
 www.Therafin.com • info@Therafin.com

ADJUSTING BRACKET HEIGHT TO FIT ARMPAD THICKNESS

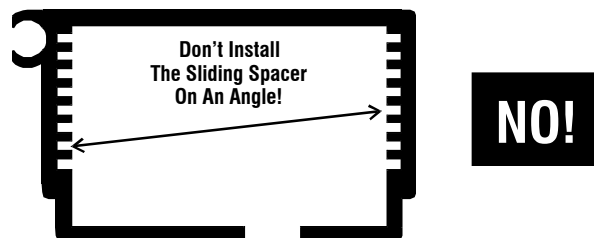
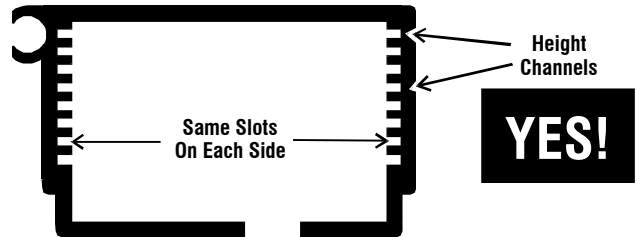
- Slide bracket over armrest, making sure **Rounded Pivot Pin Channel** is on the OUTSIDE of the armrest.
- Push the bracket up, so the bottom of the bracket touches the under-side of the armrest.



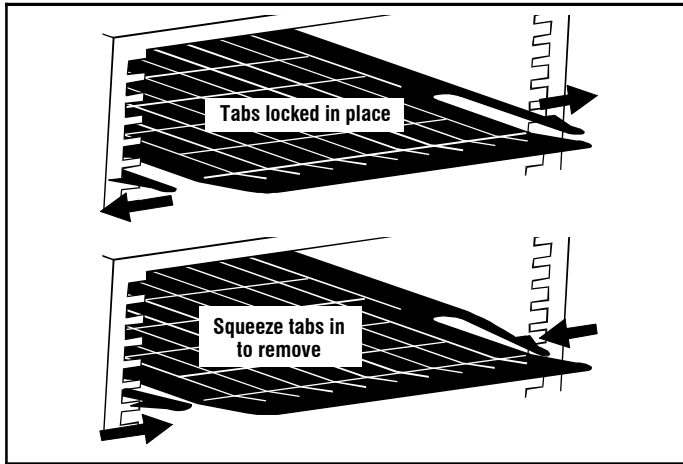
- To insert the **Sliding Spacer** into the appropriate **Height Channel**, put the **Snap Tabs** in a channel, then push the **Sliding Spacer** completely into the bracket so that the tabs go completely through the bracket and snap into place. This allows the **Sliding Spacer** to be locked in place. **NOTE:** To choose the correct **Height Channel**, choose the channel that will allow the bracket to snugly fit on the armrest pad. The bracket must fit snugly on the armrest to provide a stable mounting foundation.



- The **Snap Tabs** on either side of the **Sliding Spacer** **MUST BE INSTALLED INTO THE SAME SLOT ON EACH SIDE OF THE BRACKET.**



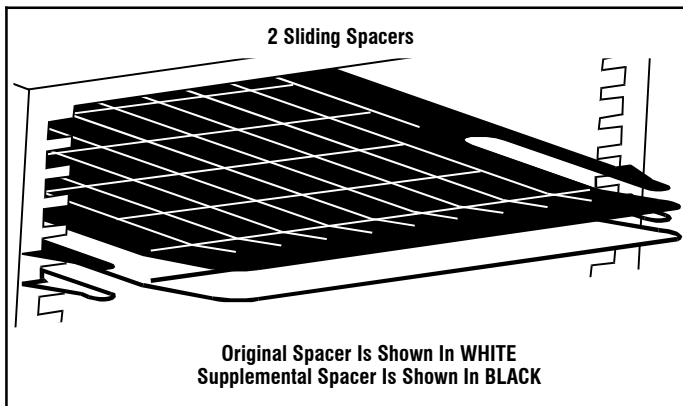
5. To remove the **Sliding Spacer**, gently squeeze both **Snap Tabs** in, and push the Sliding Spacer back through the bracket.



USING TWO SLIDING SPACERS

1. Two **Sliding Spacers** may be used together to provide maximum support in cases of extra weight or extreme pressure exerted on the half tray and bracket.
2. Adjust the bracket height to fit armpad thickness as shown on the reverse of this page. Clearly mark the slot you have chosen, so you don't change the snug fit on the armrest pad. Remove the **ORIGINAL Sliding Spacer**.
3. Install the **SUPPLEMENTAL Sliding Spacer** in the **Height Channel DIRECTLY ABOVE** (toward the tray) the slots you have marked.
4. Reinstall the **ORIGINAL Sliding Spacer** in the **Height Channel** you have marked.

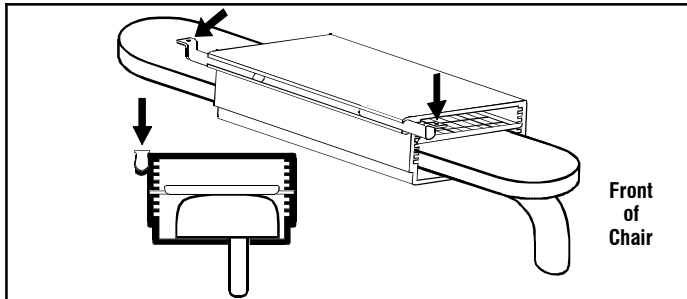
NOTE: If the correct **Height Channel** to fit your armpad is the **VERY TOP SLOT**, you will not need to use two **Sliding Spacers**, as the bracket itself will provide the extra support needed.



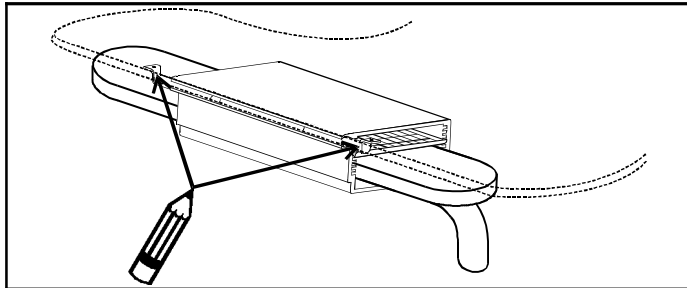
SECURING BRACKET TO TRAY

Flip-Away Bracket Installation:

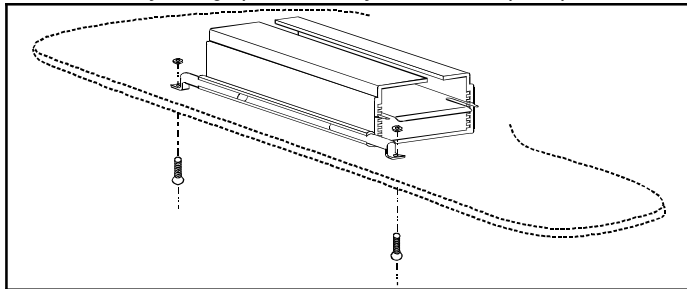
1. Slide the bracket onto armrest, making sure **Rounded Pivot Pin Channel** is on OUTSIDE of armrest.
2. Slide one **Pivot Pin** into each end of the bracket channel, with the flat side facing up.



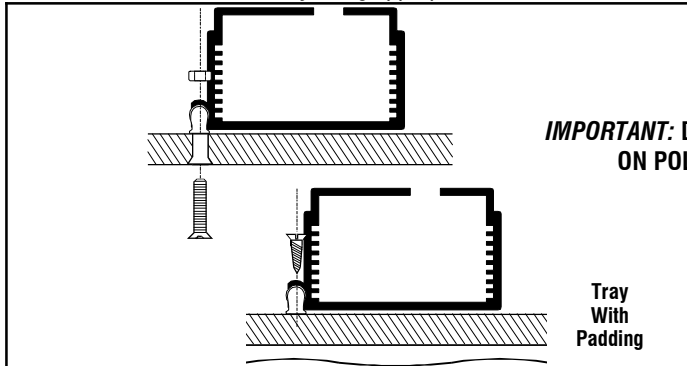
3. Properly position the tray on top of bracket, mark where the holes in **Pivot Pins** make contact with tray. **NOTE: If the tray is padded, you must determine the appropriate way to fasten the bracket to the underside of the tray, and you must supply the fastening hardware of your choice. If the tray is padded, do not follow step 4.**



4. Remove tray and flip upside down on a flat working surface. Drill a 1/4" hole through the tray on each pivot pin hole mark. Countersink the holes on top side of tray, so that the socket head screw is flush with the surface of the tray. Remove bracket from armrest and reposition on tray, lining up holes in tray with holes in pivot pins.

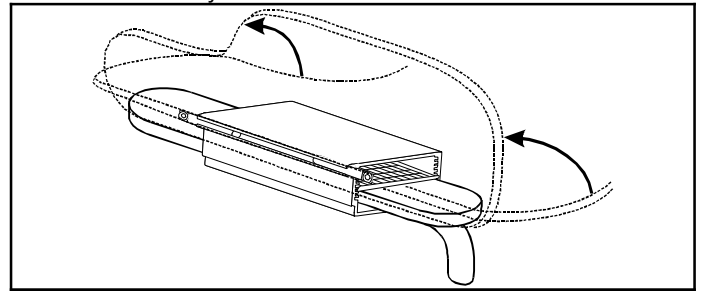


5. Attach the bracket to the tray using appropriate hardware.



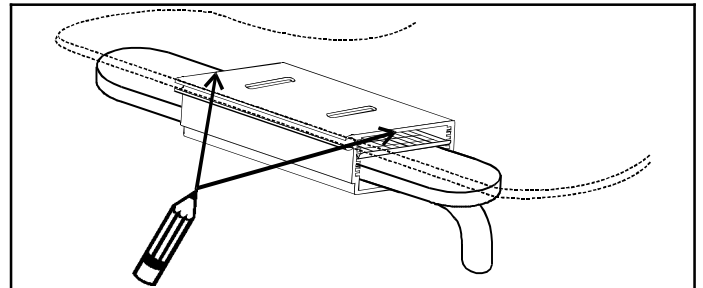
IMPORTANT: DO NOT USE LOCK TITE ON POLYCARB TRAYS!

6. Flip tray right-side up and slide onto armrest. The tray will now flip up and out of the way.

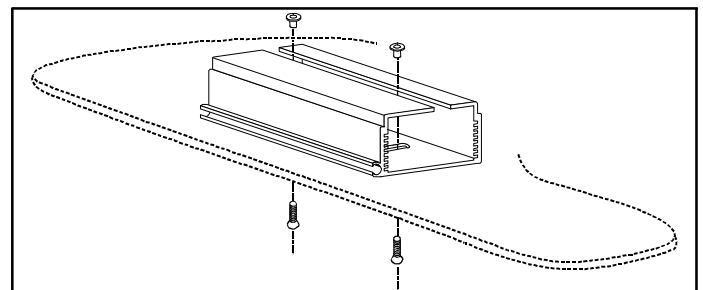


Fixed Bracket Installation:

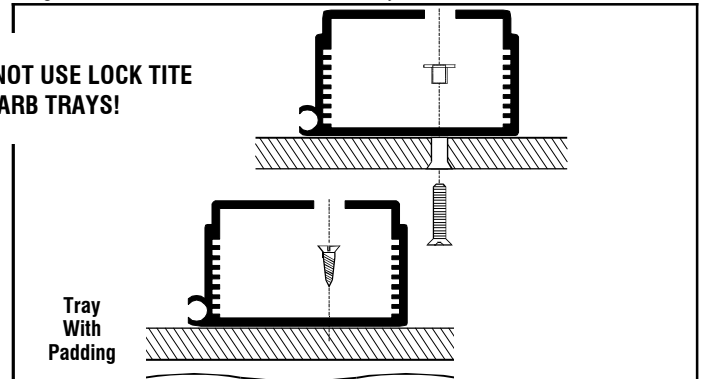
1. Slide the bracket onto armrest, and properly position the tray on top of the bracket.
2. Mark position of bracket on underside of tray.



3. Remove tray and flip upside down on a flat working surface. Remove bracket from armrest and reposition on tray, lining it up with marks. Using bracket as a template, place a mark in the center of attaching holes. **NOTE: If the tray is padded, you must determine the appropriate way to fasten the bracket to the underside of the tray, and you must supply the fastening hardware of your choice. If the tray is padded, skip to step 4.** Drill a 1/4" hole through the tray on each mark. Countersink the holes on top side of tray, so that the socket head screw is flush with the surface of the tray. **Mark**



4. Attach the bracket to the tray using appropriate hardware. The elongated holes allow for side-to-side adjustment, if needed.



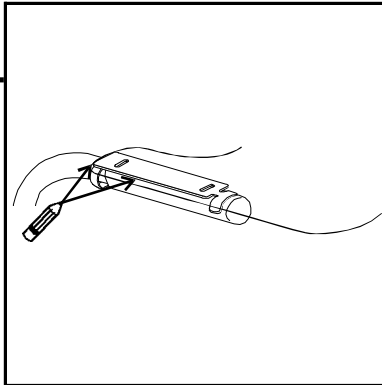
5. Flip tray right-side up and slide onto armrest.

TUBE ARM ATTACHING BRACKETS

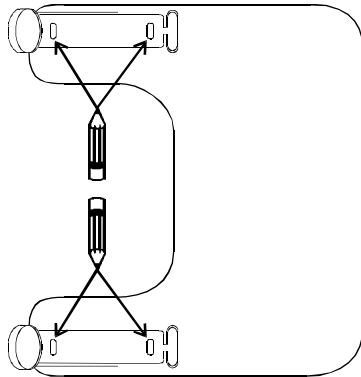
1-3/16" Ring Size, 6" Body Size	31908
1-3/16" Ring Size, 7-1/2" Body Size	31907
1-1/2" Ring Size, 7-1/2" Body Size	31904
1-11/16" Ring Size, 7-1/2" Body Size	31902

MOUNTING BRACKETS TO TRAY

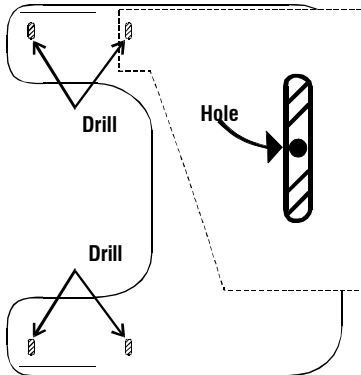
1. Rest tray atop brackets on armrests so that back edge of tray is flush with ring end of bracket. Rings will stick out from under tray. Mark where back and side edges of brackets make contact with tray.



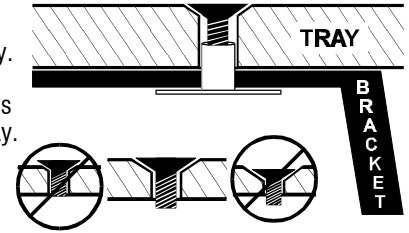
2. Remove tray and flip upside down on a flat working surface. Position brackets on tray, lining up with marks. Using brackets as a template, mark where slots in bracket make contact with tray.



3. Remove brackets from tray, drill one 1/4" hole through tray in approximate center of each marked slot area. Countersink the hole.



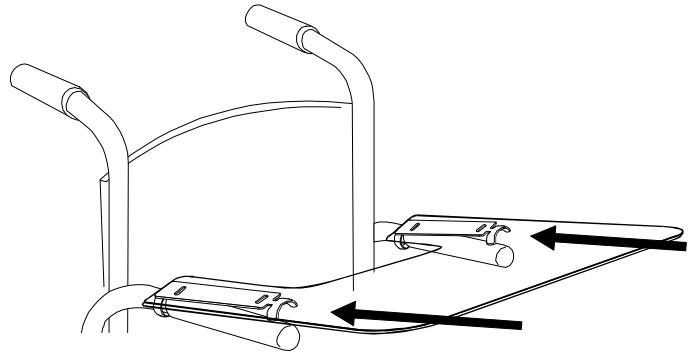
4. Reposition brackets on tray. Tighten a Flat Socket Head Screw into the T-Nut so it is flush with the top of the tray.



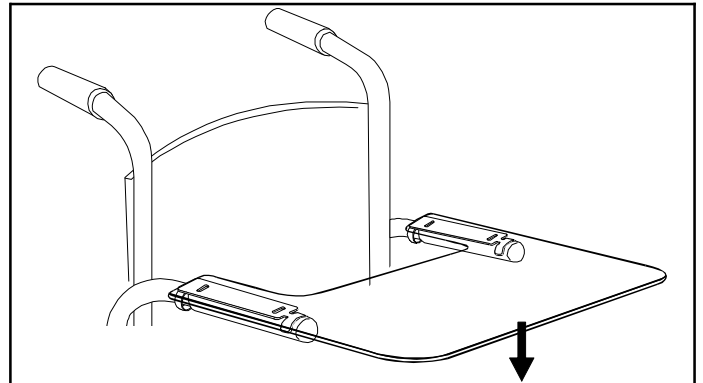
IMPORTANT: DO NOT USE LOCK TITE ON POLYCARB TRAYS!

USING

1. Tip the front of the tray up, and slide the rings of the brackets over the tube arms.



2. Lower the front of the tray, so the brackets rest on top of the tube arms.



NOTE: Depending on the front-to-back placement of the brackets, in the event that the tray may accidentally slide forward, the rings of the brackets may or may not catch on the edge of the tube arm padding. An additional means of securing the tray to the tube arms (such as straps) can be used to prevent the tray from accidentally sliding forward.

08765